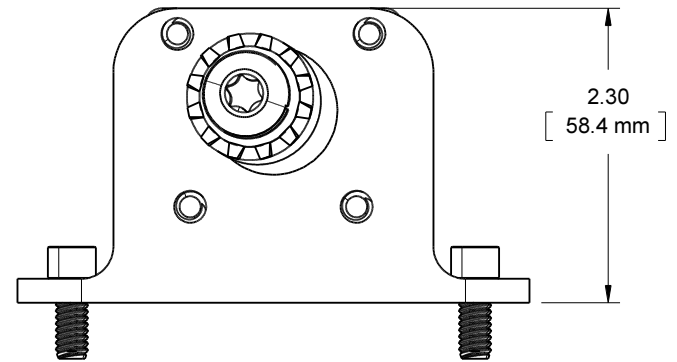
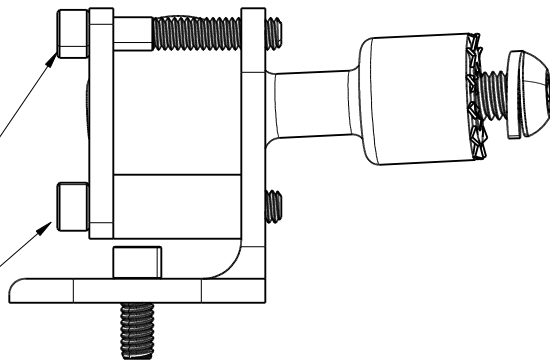


Mount can be re-assembled to orient ball stud in different directions than shown.



To secure:

- 1) The two bottom screws should be tightened against the plastic spacers.
- 2) The two top screws may then be tightened to secure the ball from movement.

Harbortronics Inc

7103 County Road 86, Fort Collins, CO 80524 USA
 970-232-9619 (P) 970-232-8729 (F) www.Harbortronics.com

Cyclapse Ball Head Mount, Bolt

SIZE A	FILE 000460	REV A
SCALE 2:3	DATE 18 June 2015	SHEET 1 of 1