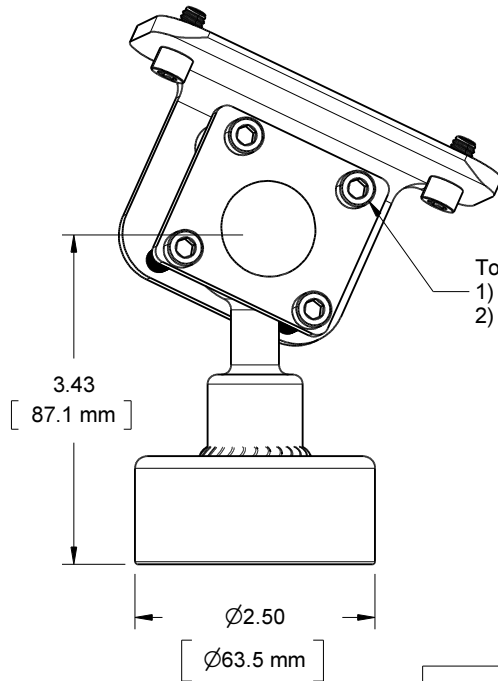
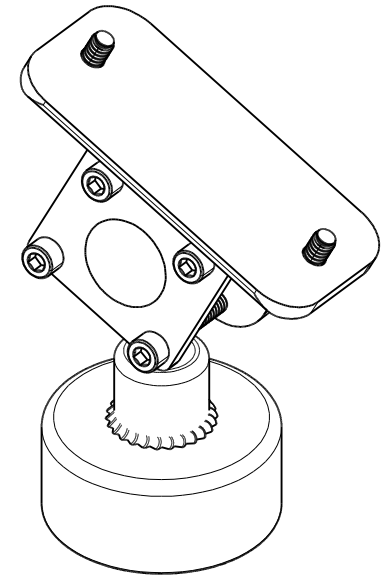


Inside diameter: 1.92" [48.8mm]
 Depth: 0.53" [13.5mm]

The pipe-cap mount is made from 304 stainless steel, and can be welded to the end of a pipe, or welded to a flat steel structure.



- To Secure:
- 1) Tighten two screws against the plastic spacers.
 - 2) Tighten the other screws to secure the ball from movement.



Harbortronics Inc			
7103 County Road 86, Fort Collins, CO 80524 USA 970-232-9619 (P) 970-232-8729 (F) www.Harbortronics.com			
Cyclapse Ball Head Mount, Pipe Cap, NPS1.5			
SIZE	FILE		REV
A	000701		A
SCALE	DATE	SHEET	
1:2	18 Jun 2015	1 of 1	