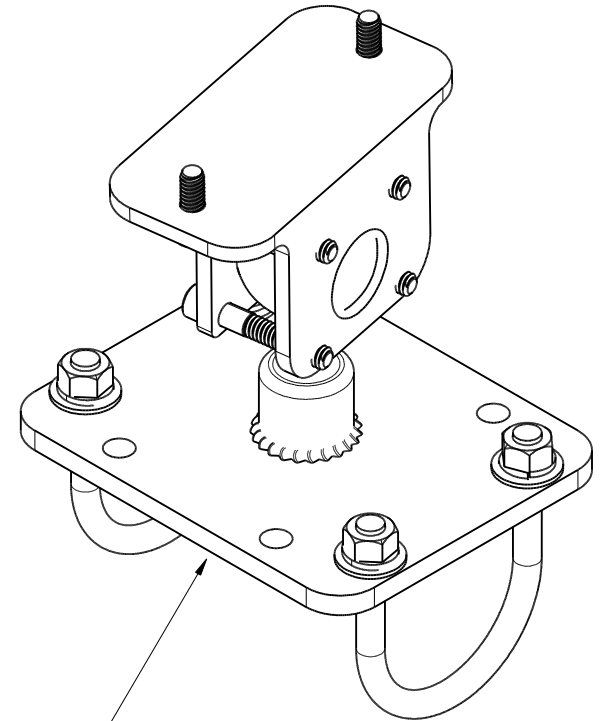
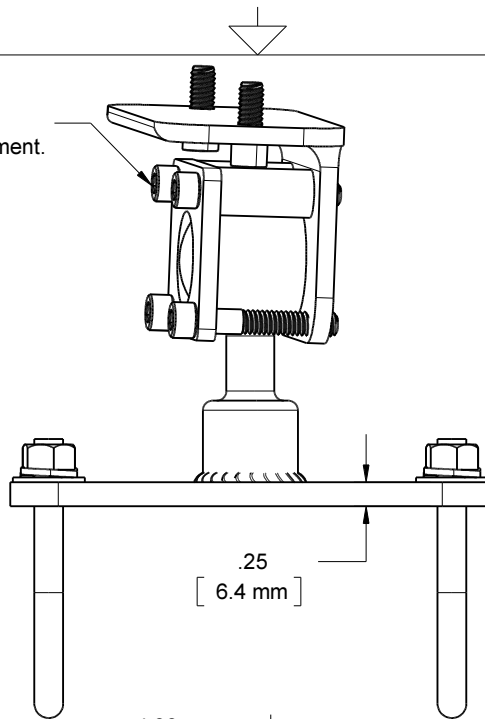
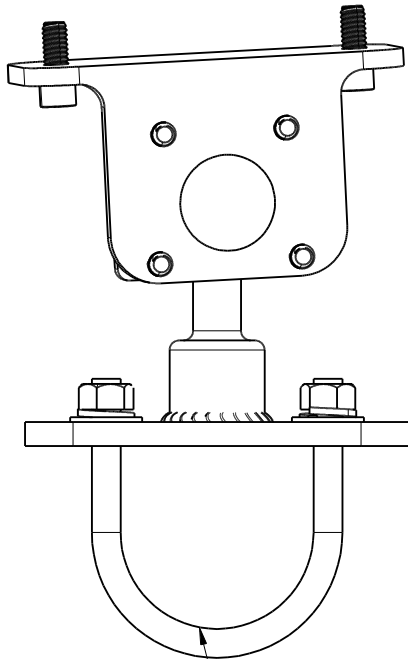


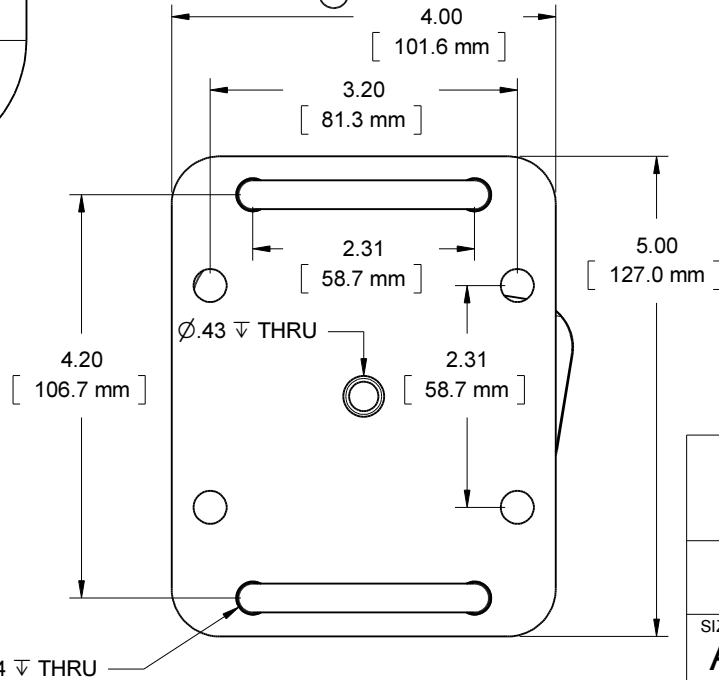
To secure:

- 1) The two screws should be tightened against the plastic spacers.
- 2) The other screws may be tightened to secure the ball from movement.



The U-Bolts may be removed to allow attachment of the plate directly to a structure.

The U-Bolts will work with pipe with diameter up to 2.0" (50.8mm).



## Harbortronics Inc

7103 County Road 86, Fort Collins, CO 80524 USA  
 970-232-9619 (P) 970-232-8729 (F) www.Harbortronics.com

### Cyclapse Ball Direct Mount, Plate

SIZE	FILE	REV
<b>A</b>	000694	<b>A</b>
SCALE	DATE	SHEET
1:2	18 June 2015	1 of 1