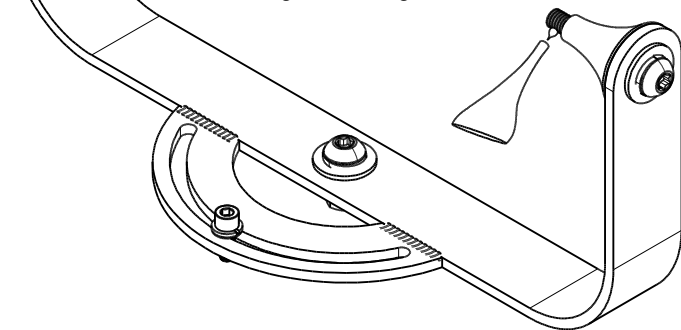


Remove the tapered attachments from the arm. Apply the thread-locking adhesive and tightly screw them into the housing clamp pieces. Let the adhesive cure for 24 hours before attaching the housing to the arm.



Harbortronics Inc			
7103 County Road 86, Fort Collins, CO 80524 USA 970-232-9619 (P) 970-232-8729 (F) www.Harbortronics.com			
Cyclapse Pan-Tilt Mount			
SIZE	FILE		REV
A	000518		B
SCALE	DATE	SHEET	
1:3	18 June 2015	1 of 1	