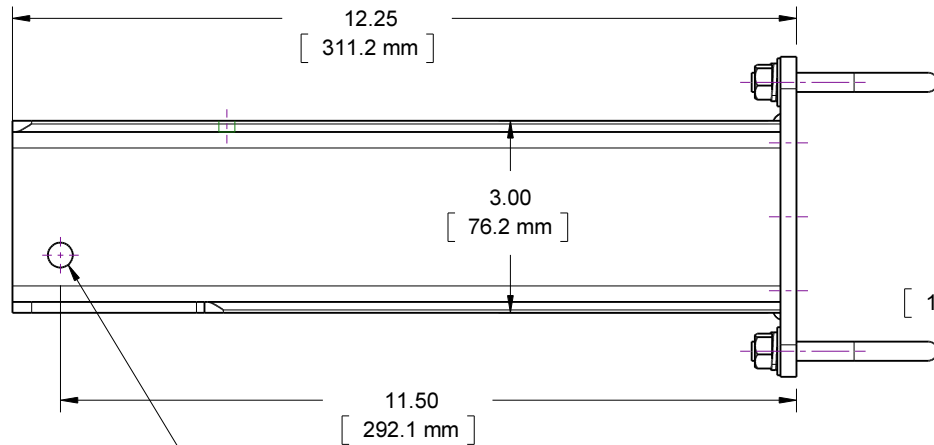


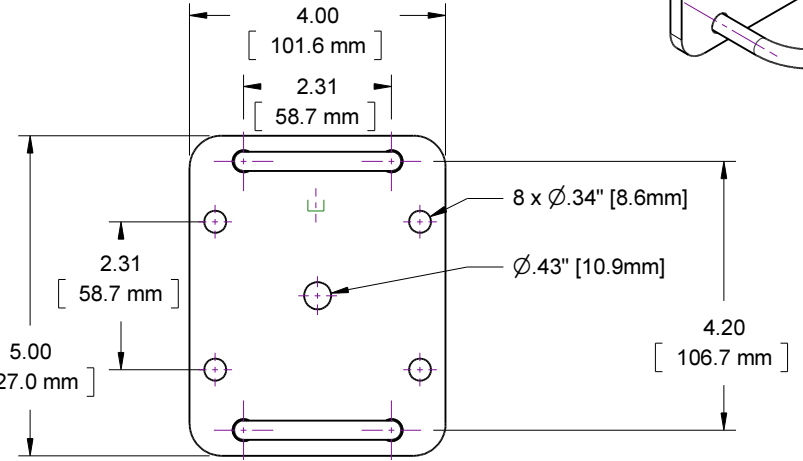
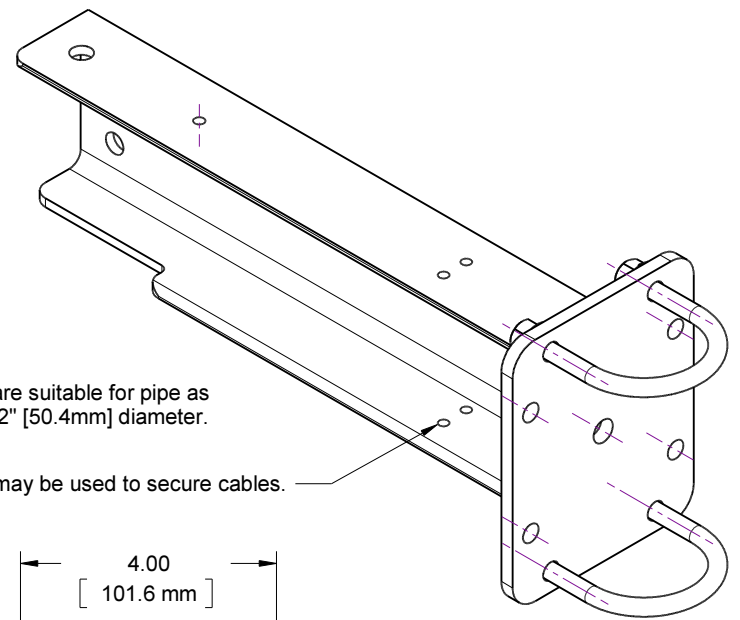
U-Bolts are suitable for pipe as large as 2" [50.4mm] diameter.

Holes may be used to secure cables.

0.39" [9.9mm] Bolt hole typically used with :
 1) Solar Panel Ball Head Mount -Bolt, 10W (000130)
 2) Cyclapse Pan-Tilt Mount (000518)



0.39" [9.9mm] Bolt hole typically used with
 Cyclapse Ball Head Mount -Bolt (000460)



Harbortronics Inc			
7103 County Road 86, Fort Collins, CO 80524 USA 970-232-9619 (P) 970-232-8729 (F) www.Harbortronics.com			
Mounting Arm Assy, Flat, 12"			
SIZE	FILE		REV
A	000461		A
SCALE	DATE	SHEET	
1:3	22 June 2015	1 of 1	