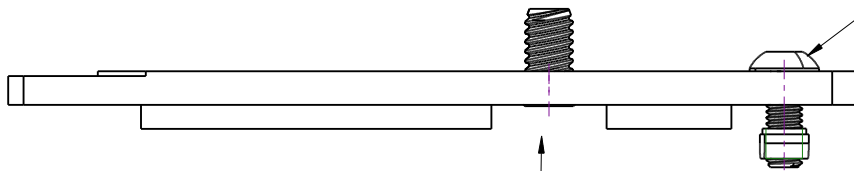
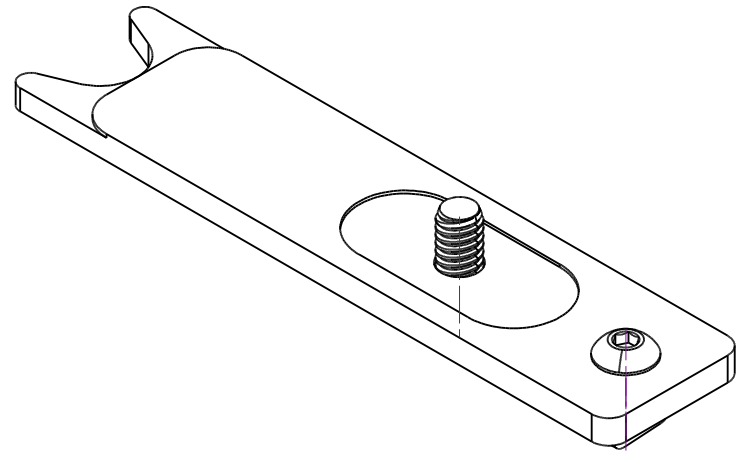
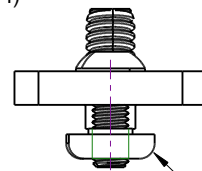


Sled Base F
(000748)



Screw, 1/4-20, Button Head Hex, 3/8"
(000288)

Screw, #10-32, Button Head, Hex, 1/2"
(000504)



Drop-In Nut, #10-32
(000274)

Assemble Drop-In nut loosely.
Retain 1/4-20 screw with black gaffer tape until assembled in final unit.

Tools to be included:
000497 Hex L-Key, 1/8" Ball Point, 3-3/4"
000187 Hex L-Key, 5/32" Ball Point, 4-3/16"

Harbortronics Inc

7103 County Road 86, Fort Collins, CO 80524 USA
970-232-9619 (P) 970-232-8729 (F) www.Harbortronics.com

Camera Sled F Assembly

SIZE A	FILE 000749	REV A
SCALE 1:1	DATE 3 Aug 2015	SHEET 1 of 1