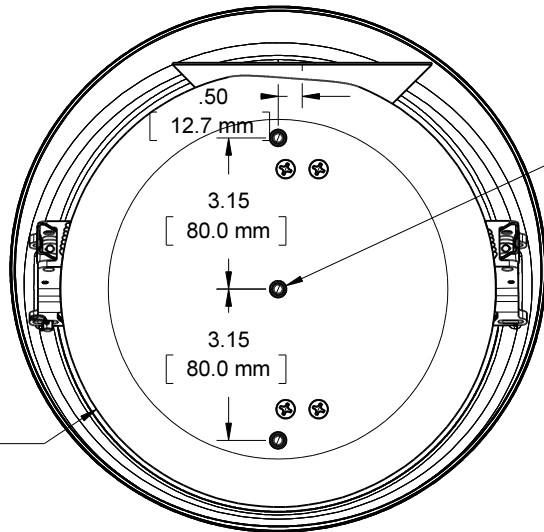
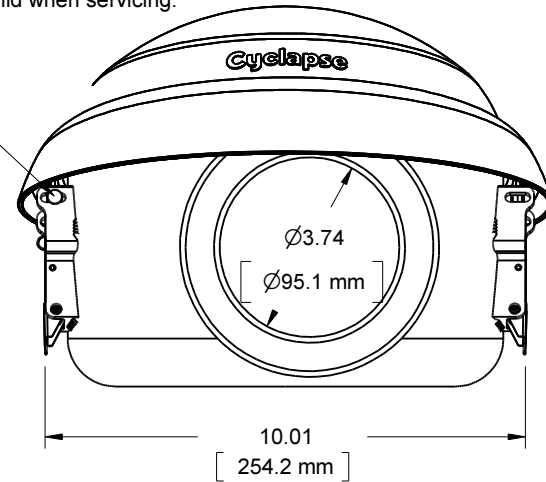


With the latch open, turn the screw in or out to adjust the tension of the latch.

Note: The lid may be damaged if too much tension is applied.

The pin and clip may be moved to either side of the housing, to pivot the lid from the side that works best for your installation.

They may be left off entirely if you prefer to remove the lid when servicing.



Mounting locations  
1/4-20 Thread, 3x  
0.25" [6mm] deep

R4.54  
Housing radius  
[ R115.3 mm ]

<b>Harbortronics Inc</b>			
7103 County Road 86, Fort Collins, CO 80524 USA 970-232-9619 (P) 970-232-8729 (F) www.Harbortronics.com			
<b>Cyclapse Camera Housing</b>			
SIZE <b>A</b>	FILE 000292	REV <b>A</b>	
SCALE <b>1:4</b>	DATE <b>16 June 2015</b>	SHEET <b>1 of 1</b>	