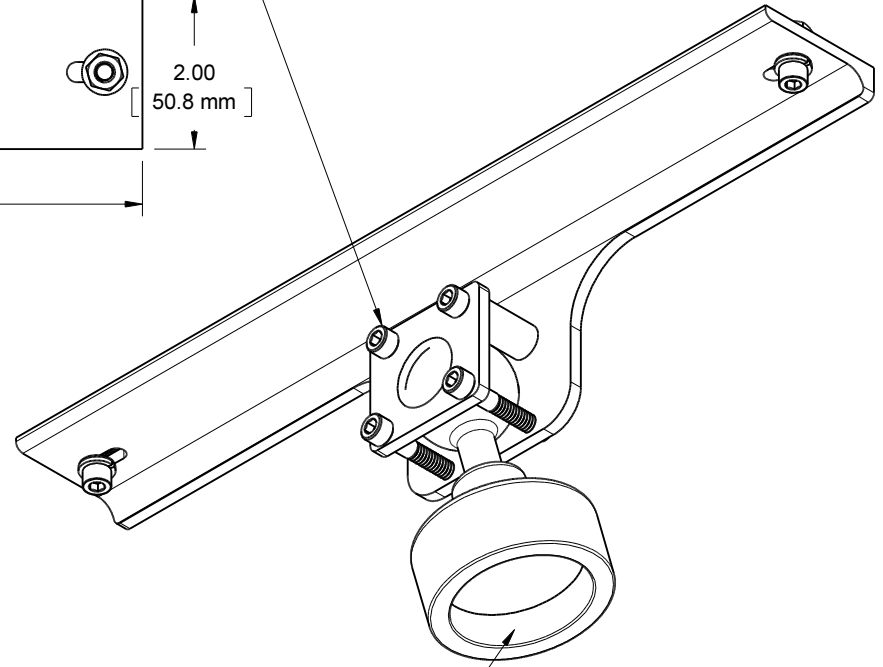
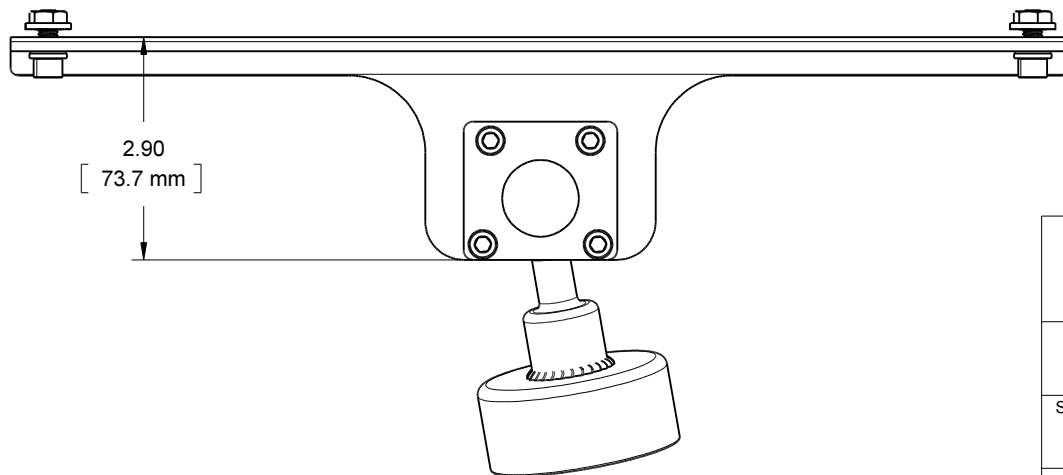


To Secure:
 1) Tighten two screws against plastic spacers.
 2) Tighter other screws to lock ball in place.



Inside diameter: 1.92" [48.8mm]
 Depth: 0.53" [13.5mm]

The pipe-cap mount is made from 304 stainless steel, and can be welded to the end of a pipe, or welded to a flat steel structure.



| | | |
|--|-----------------------------|------------------------|
| Harbortronics Inc | | |
| 7103 County Road 86, Fort Collins, CO 80524 USA 970-232-9619 (P) 970-232-8729 (F) www.Harbortronics.com | | |
| Ball Head Pipe Mount, Solar Panel, 10W, NPS1.5 | | |
| SIZE A | FILE 000702 | REV A |
| SCALE 2:5 | DATE 22 June 2015 | SHEET 1 of 1 |